



de

en

fr

it

nl

es

pt

sv

no

pl

ru

cs

Kaffeesatzabwurf- / Restwasserablauf-Set X-Linie

Bedienungsanleitung

Coffee grounds disposal / drip drain set X line

Instructions for use

Set d'éjection de marc de café / évacuation de l'eau résiduelle ligne X

Mode d'emploi

Set espulsione dei fondi di caffè / scarico acqua residua linea X

Istruzioni per l'uso

Set afvoer koffieresidu / restwater X-serie

Gebruiksaanwijzing

Juego de expulsión automática de posos / agua sobrante línea X

Modo de empleo

Kit de eliminação das borras de café / escoamento da água residual da linha X

Manual de instruções

Set för kaffesump- / skölvattenhantering X-line

Bruksanvisning

Sett for kaffegrututkast / restvannsavløp X-serie

Instruksjonsbok

Zestaw odprowadzania fusów / odpływowy tacy ociekowej linia X

Instrukcja obsługi

**Комплект деталей для выброса кофейных отходов /
отвода остаточной воды для серии X**

Руководство по эксплуатации

Sada pro shoz kávové sedliny / odtok zbývající vody série X

Návod k obsluze

Table of contents

Supplied as standard	5
1 Tools required.....	6
2 Installation	6
Preparation	6
Coffee grounds disposal function.....	6
Drip drain	6
Final jobs	7
3 JURA contact details	7

Supplied as standard



Information about operating the coffee machine with the coffee grounds disposal / drip drain set:
To deactivate the coffee machine's coffee grounds counter, you must activate the direct disposal option using the customer software.

1 Tools required

- Drill
- File
- In addition for coffee grounds disposal function
 - 60 mm core drill bit
 - 70 mm core drill bit
- In addition for drip drain
 - 10 mm drill bit
 - Core drill bit of at least 35 mm

2 Installation

Preparation

- ▶ Switch off coffee machine.
- ▶ Unplug from the power socket.
- ▶ Remove the water tank.
- ▶ **Lock** the aroma preservation cover of the bean container.
- ▶ Remove drip tray and coffee grounds container.

Coffee grounds disposal function

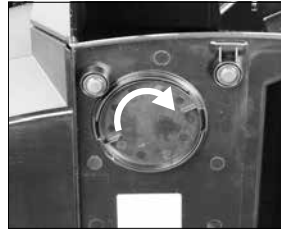
- ▶ Drill hole in underside of drip tray (with 60 mm core drill bit).



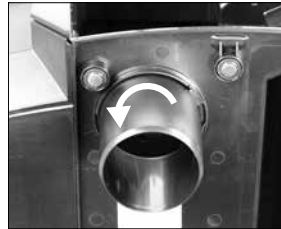
- ▶ Deburr drilled hole with a file.
- ▶ Fit coffee grounds funnel in drip tray.



- ▶ Drill hole for coffee grounds disposal in tabletop (70 mm core drill bit). For position, see illustration on last page of these instructions for use.
- ▶ Carefully lay the coffee machine on its back.
- ▶ Remove round cover.



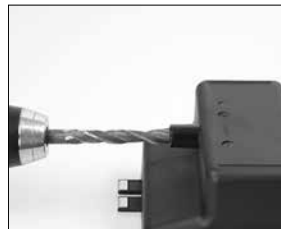
- ▶ Insert tube section and tighten.



- ▶ Place coffee machine and tube section in tabletop hole and/or install drip drain (see following section).

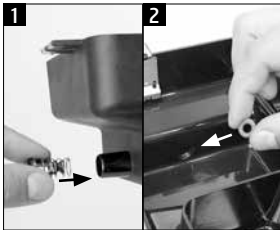
Drip drain

- ▶ Drill hole for valve in drip tray (10 mm drill bit).



- ▶ Deburr drilled hole with a file.

- ▶ Insert valve (valve body and pressure spring from outside, red O-ring from inside).

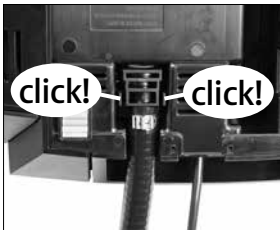


3 JURA contact details

JURA Elektroapparate AG
Kaffeeweltstrasse 10
CH-4626 Niederbuchsiten
Tel. +41 (0)62 38 98 233

- @ You will find additional contact details for your country at www.jura.com.

- ▶ Drill hole for drain hose in tabletop (core drill bit of at least 35 mm; distance from machine of at least 40 mm). For position, see illustration on last page of these instructions for use.
- ▶ Carefully lay the coffee machine on its back.
- ▶ Slide drain hose into guide until it clicks.



- ▶ Set coffee machine upright again.
- ▶ Guide drain hose through hole in tabletop.

Final jobs

- ▶ Fit drip tray.
- ▶ Fit water tank.
- ▶ Plug the machine into the power socket.
- ▶ Switch on coffee machine.

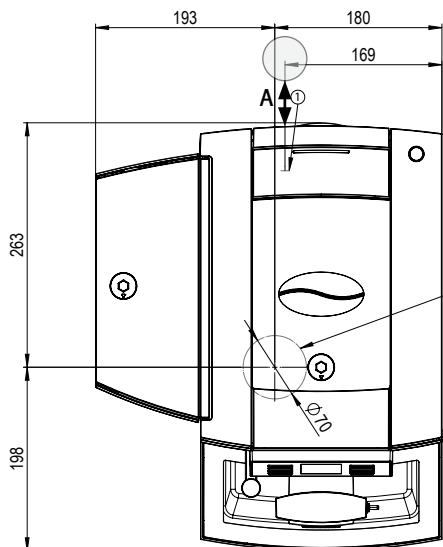
**de**

Abbildung: Position Rohrstück für Kaffeesatz-abwurf (2) und Restwasserschlauch (1) auf Geräteunterseite (Mindestabstand (A) der Bohrung zum Gerät: 40 mm).

en

Figure: Position of tube section for coffee grounds disposal (2) and drain hose (1) on bottom of machine (minimum distance (A) of hole from machine: 40 mm).

fr

Illustration : emplacement de la pièce tubulaire pour l'éjection du marc de café (2) et du tuyau d'eau résiduelle (1) sous la machine (distance minimale (A) entre l'orifice et la machine : 40 mm).

it

Figura: posizione tubo per espulsione dei fondi di caffè (2) e tubo dell'acqua residua (1) sul lato inferiore dell'apparecchio (distanza minima (A) del foro dall'apparecchio: 40 mm).

nl

Afbeelding: Positie van het buisstuk voor de afvoer van het koffieresidu (2) en de restwaterslang (1) aan de onderzijde van het apparaat (minimale afstand (A) van de boring tot het apparaat: 40 mm).

es

Figura: posición del tubo para la expulsión automática de posos (2) y el tubo de recogida de agua sobrante (1) en la parte inferior de la máquina (distancia mínima (A) del orificio a la máquina: 40 mm).

pt

Figura: Posição da secção do tubo para eliminação das borras de café (2) e para o tubo da água residual (1) na parte inferior do aparelho (distância mínima (A) do orifício até ao aparelho: 40 mm).

sv

Bild: Position för rördelen för kaffesumpkast (2) och droppvattenslangen (1) på apparatens undersida (minsta avstånd (A) för hålet till apparaten: 40 mm).

no

Avbildning: Posisjon til rørstykke for kaffegrututkast (2) og restvannsslange (1) på apparatets underside (minsteavstand (A) mellom boringen og apparatet: 40 mm).

pl

Ilustracja: Pozycja kształtki rurowej do usuwania fusów (2) i węży odprowadzającego nadmiar wody (1) na spodzie urządzenia (minimalny odstęp (A) otworu od urządzenia: 40 mm).

ru

Рис.: Расположение патрубка для выброса кофейных отходов (2) и шланга для отвода остаточной воды (1) на нижней панели кофемашины (минимальное расстояние (A) от отверстия до кофемашины: 40 мм).

cs

Vyobrazení: Poloha trubičky pro shoz kávové sedliny (2) a hadičky na zbytkovou vodu (1) na spodní straně přístroje (minimální vzdálenost (A) otvoru od přístroje: 40 mm).